

2.0 LAYER 900SD - REMOTE ACCESS UNIT ACCESS POINT CROSS SECTION

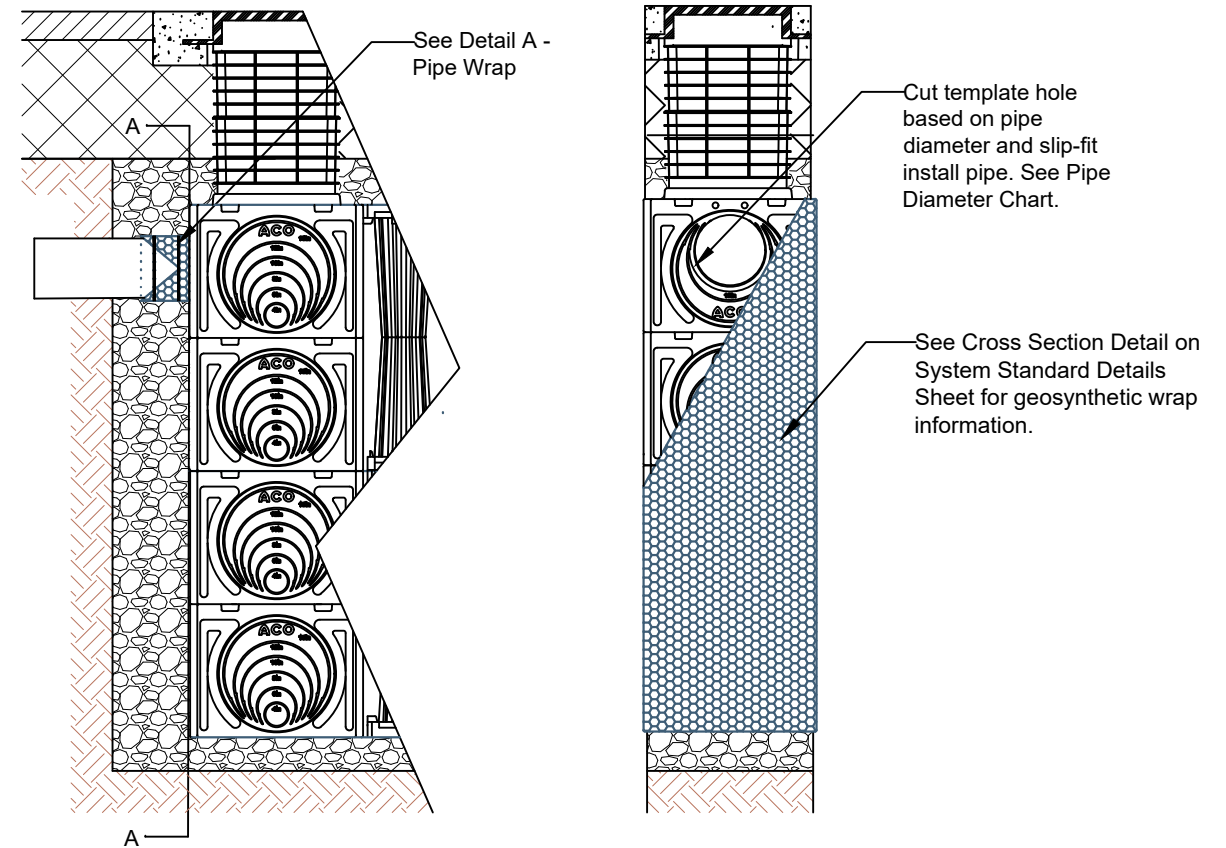
NTS

- NOTE 1: Ventilation may be crucial to reducing the pressure build up within the system. If solid access covers are used, alternative methods of ventilation are recommended.
- NOTE 2: Concrete Load Plates should contact/bond to the Remote Access Cover. A gap or bond break is recommended between cast-in-place concrete and the extension shaft. Consult Engineer of Record for additional requirements.
- NOTE 3: The 900SD Remote Access Unit is approximately the size of half of a half-module. The half-module throughout the tank height must be cut in half to accommodate the Remote Access Unit.
- NOTE 4: The 900SD Remote Access Unit has two configurations of template holes side walls. Both configurations are provided on each 900SD Remote Access Unit - two sides for each configuration. The two configuration options are depicted in this cross section.
- NOTE 5: Contractor to cut template holes on interior side walls and bottom of top 900SD Remote Access Unit to allow water flow and tank access. Unless otherwise specified in the project drawings, cut 15" diameter template holes on 900SD Remote Access Units on the three interior sides.

REMOTE ACCESS UNIT PIPE DIAMETER CHART

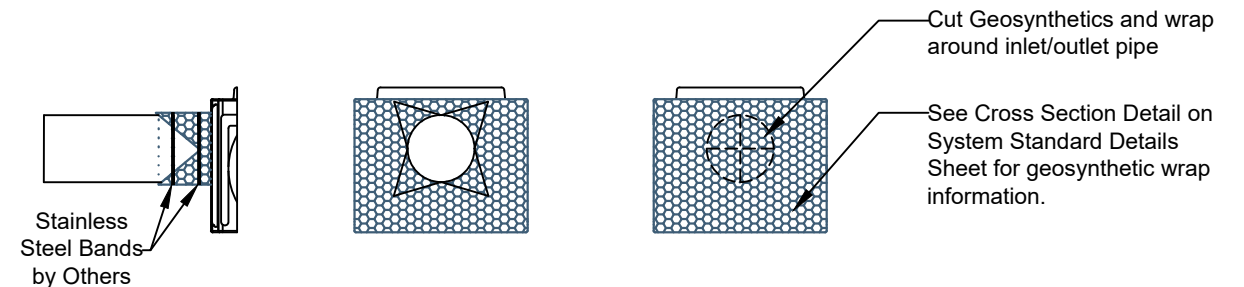
Nominal Template Hole Diameter (inches)					
4	6	8	10	12	15

- NOTE 1: Cut inlet / outlet pipe hole prior to Remote Access Unit installation.
- NOTE 2: Pipe diameters apply to thin-wall pipes. Contact ACO for guidance with other pipe types.
- NOTE 3: Contact ACO for guidance for inlet / outlet pipes larger than 15-inch diameter.



2.0 LAYER 900SD - REMOTE ACCESS UNIT PIPE INSTALLATION

NTS



**DETAIL A
PIPE WRAP**

NTS

DRAWN BY K Chejarla	CHECKED BY A Frye
DATE 10/08/2025	REV. 0

STORMBRIXX - STANDARD DETAILS

900SD SYSTEM - 2 LAYER REMOTE ACCESS UNIT

ACO, INC.

WEST SALES OFFICE 825 W BEECHCRAFT ST. CASA GRANDE, AZ 85122 Tel. (888) 490-9552 Fax (520) 421-9899	EAST SALES OFFICE 9470 PINECONE DRIVE MENTOR, OH 44060 Tel. (800) 543-4764 Fax (440) 639-7235	SOUTHEAST SALES OFFICE 481 MUNN RD. SUITE #225 FORT MILL, SC 29715 Tel. (440)-639-7230 Fax (803)-802-1063
--	--	--

www.acoswm.com